

**BERRAN**  
INDUSTRIAL GROUP, INC.

570 Wolf Ledges Parkway, Akron, OH 44311  
Phone: (330) 253-5800 | Fax: (330) 253-5805  
Online at [www.Berran.com](http://www.Berran.com)



**PROUDLY**  
ASSEMBLED & TESTED



**IN THE USA**

# ***EAGLE SP11***

## ***SEMI-AUTOMATIC STRAPPING MACHINE***



***DUAL***  
***DIRECT-DRIVE***  
***MOTORS***  
24 VOLT

***"SILENT"***  
***OPERATION***

***SIMPLE DESIGN =***  
***LESS MAINTENANCE***

**ALL MACHINES AND PARTS STOCKED IN AKRON, OHIO**



# BERRAN INDUSTRIAL GROUP, INC.

570 Wolf Ledges Parkway, Akron, OH 44311 | Phone: (330) 253-5800 | Fax: (330) 253-5805

## Standard Features

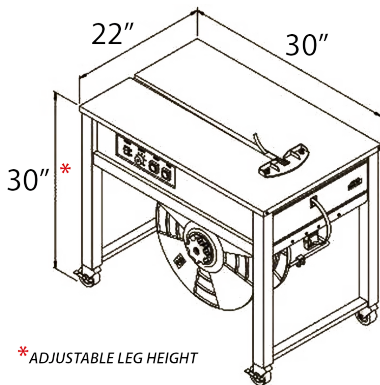
- Dual direct-drive 24 volt motors
- "Silent" operation
- Quad locking casters
- Adjustable leg height
- Electronic tension control
- Stainless steel table top
- Safety switch
- Eco friendly

## Specifications

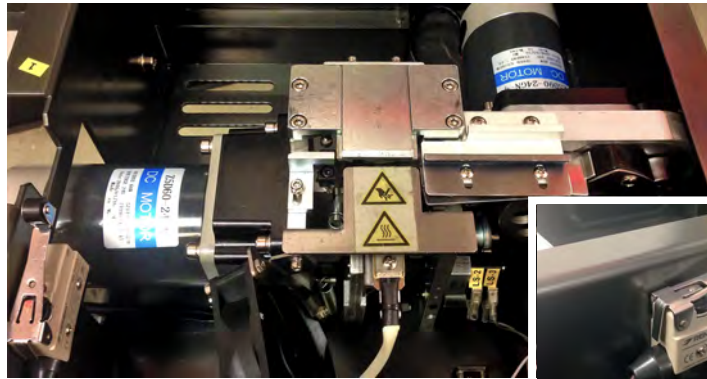
- Power requirement: 110VAC / 60Hz
- Strapping width: 6mm to 15mm (1/4" to 5/8")
- Core Size: 8x8 (standard)
- Tension: 0 to 110lbs
- Sealing method: Heat weld
- Machine weight: 149lbs

**\* 1-year parts warranty \***

## Dimensions



Eagle SP11



Dual Direct-Drive 24-Volt Motors



Safety Switch



Control Panel



Locking Casters



Adjustable Height

## DISTRIBUTED BY



**BERRAN INDUSTRIAL GROUP, INC.**  
 570 Wolf Ledges Parkway  
 Akron, Ohio 44311  
 Phone: (330) 253-5800  
 Fax: (330) 253-5805  
 Online at [www.Berran.com](http://www.Berran.com)

